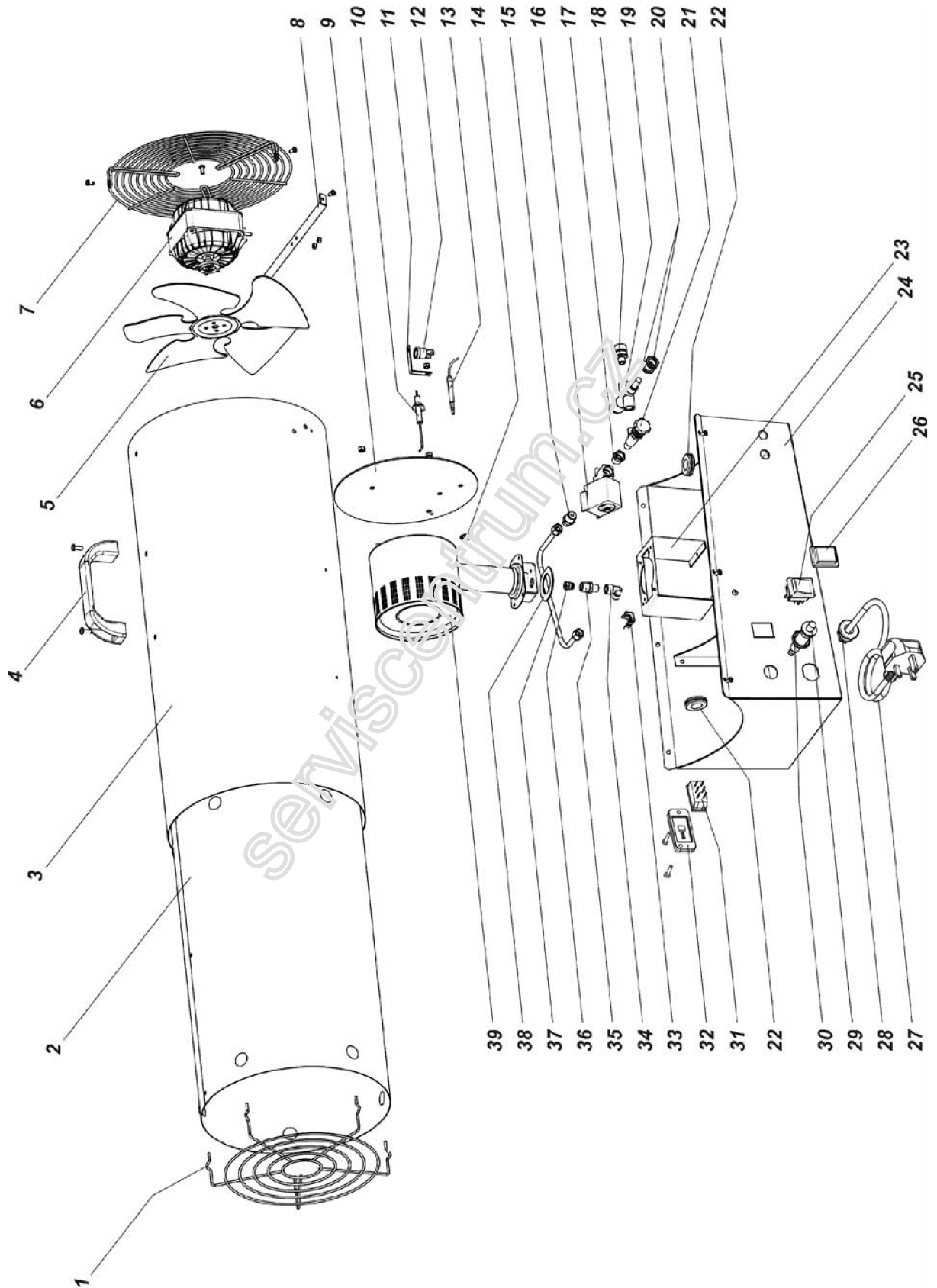


Spareparts MASTER GAS HEATERS

MODEL 50 kW D.V.

ILLUSTRATED PARTS BREAKDOWN



Cod. 4161.470

Spareparts MASTER GAS HEATERS 50 kW D.V.

Pos.	Code NR	Description
1	4160.740	OUTLET GRID
2	4161.083	COMBUSTION CHAMBER
3	4161.028	YELLOW COVER RAL 1006
4	4160.715	PLASTIC HANDLE
5	4160.691	FAN
6	4161.166	ELECTRIC MOTOR
7	4160.739	INLET GRID
8	4161.013	SUPPORT ELECTRIC MOTOR
9	4160.744	PLATE BURNER
10	4160.731	IGNITION ELECTRICAL FOLDER
11	4160.708	SUPPORT FOR THERMOSTAT
12	4160.636	SAFETY THERMOSTAT 90°
13	4160.953	INTERRUPTED THERMOCOUPLE
14	4160.627	ELASTIC WASHER
15	4160.962	NOZZLE 1/4" - 1/8"
16	4161.268	ELECTROVALVE
17	4160.964	NIPPLES REDUCER
18	4160.700	GAS INLET NOZZLE 3/8 M - 1/8 M
19	4160.688	SAFETY GAS VALVE
20	4160.701	RING NUT M12X0,75
21	4160.683	GAS COCK
22	4160.646	GROMMET 16-20-22
23	4161.018	SUPPORT BURNER
24	4161.472	BASE
25	4160.637	SWITCH
26	4160.638	COVER SWITCH
27	4161.471	ELECTRIC CABLE
28	4160.635	RESET WIRE DEVICE PA 107
29	4162.222	PIEZO IGNITOR WITH ADAPTER
30	N/A	ADAPTER FOR PIEZO IGNITOR
31	4161.292	SWITCH DUAL VOLTAGE
32	4161.284	COVER SWITCH DUAL VOLTAGE
33	4160.639	RIVET POP
34	4160.967	90° DEGREE ELBOW 1/8"
35	4160.768	SUPPORT GAS NOZZLE
36	4160.766	GAS NOZZLE
37	4161.019	COPPER EXTENDING VALVE-NOZZLE
38	4160.769	NECK PLATE
39	4160.676	GAS BURNER

N/A = Parts Not Available