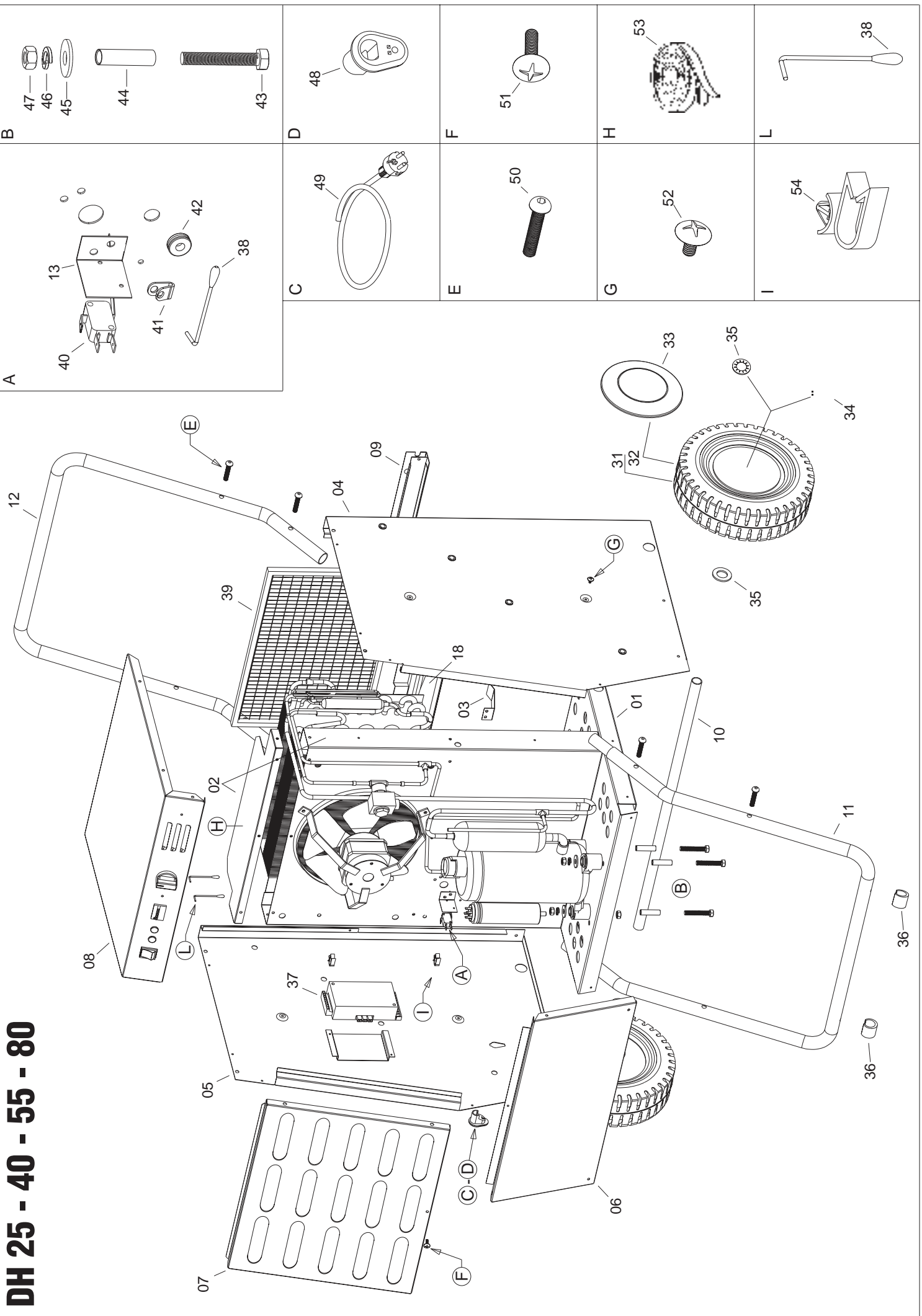
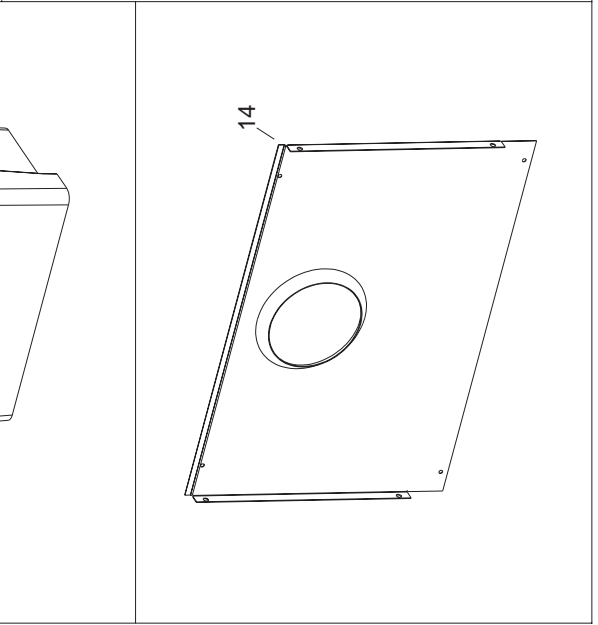
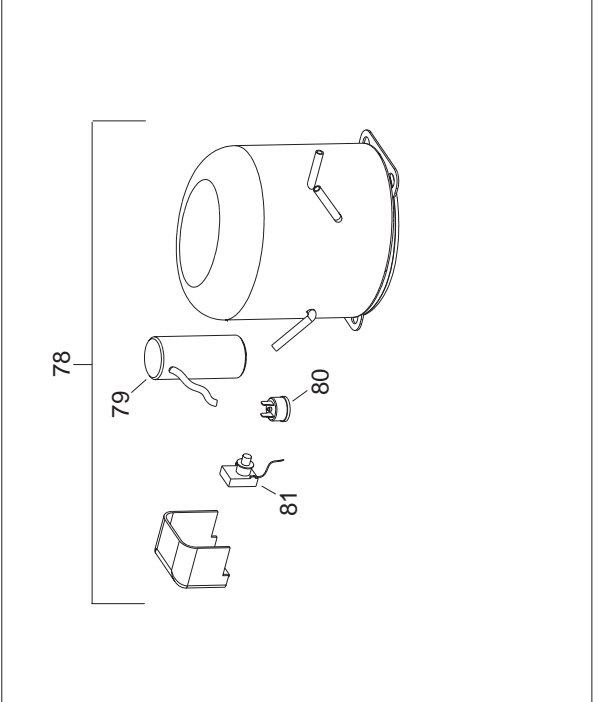
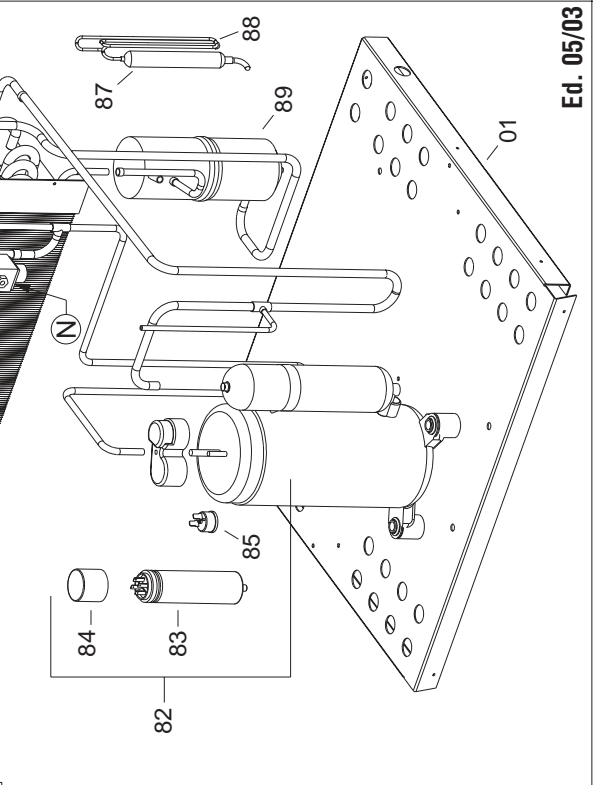
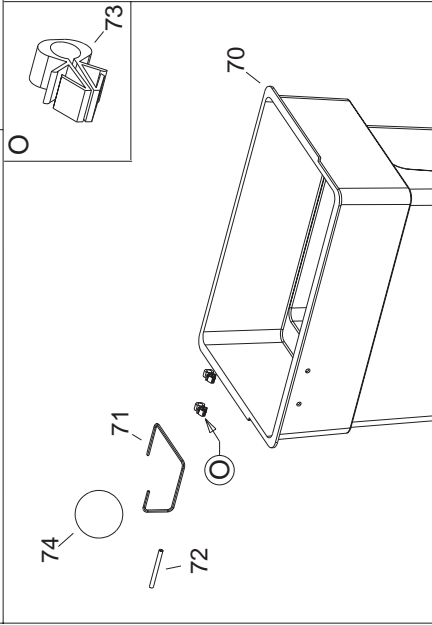
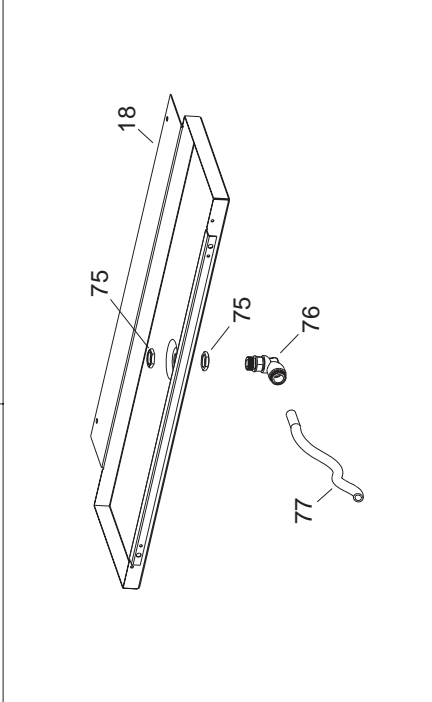
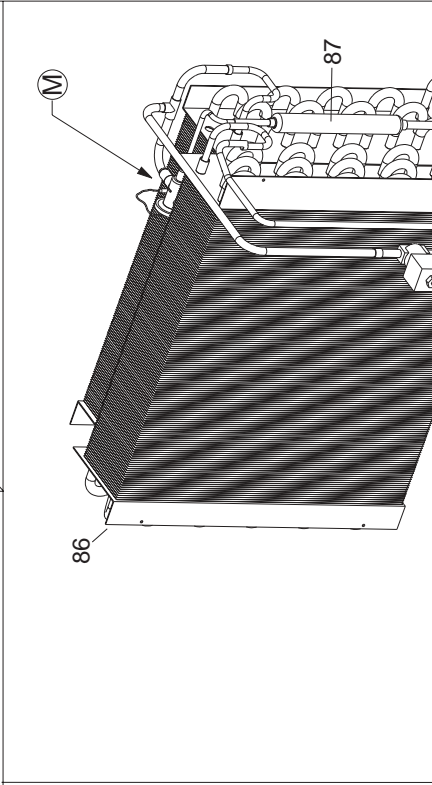
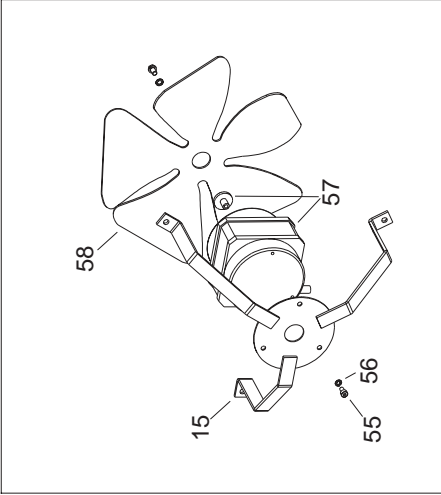
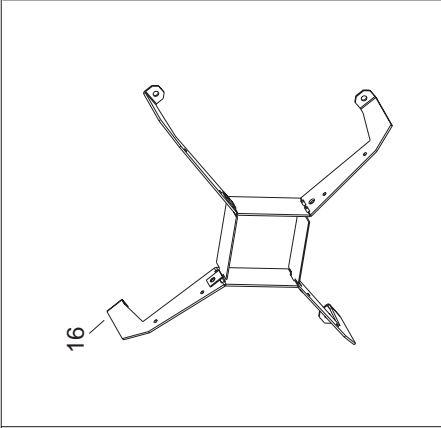
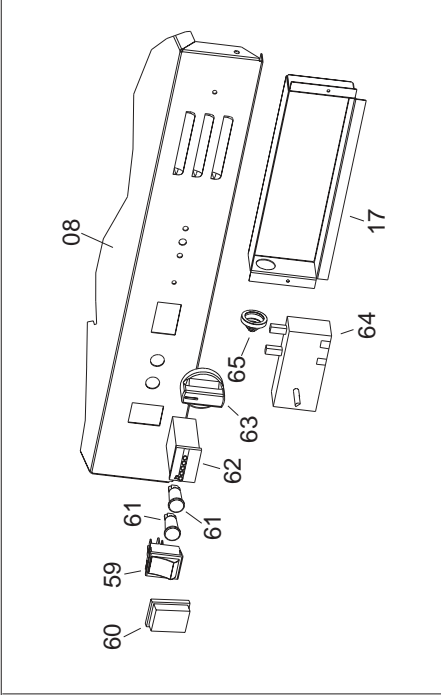
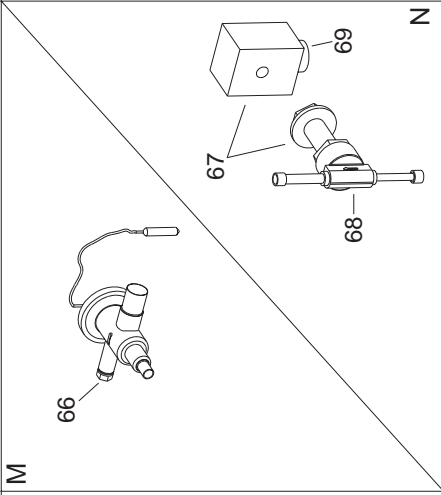


# DH 25 - 40 - 55 - 80





DEHUMIDIFIERS

MODEL DH 25 / 40 / 55 / 80

PARTS LIST

| Key No. | Part number | Description                    | DH 25 | DH 40 | DH 55 | DH 80 |
|---------|-------------|--------------------------------|-------|-------|-------|-------|
| 1       | 4140.600    | Bottom plate                   | X     |       |       |       |
| 1       | 4140.601    | Bottom plate                   |       | X     | X     |       |
| 1       | 4140.602    | Bottom plate                   |       |       |       | X     |
| 2       | 4140.603    | Capacitor support              | X     |       |       |       |
| 2       | 4140.604    | Capacitor support              |       | X     |       |       |
| 2       | 4140.605    | Capacitor support              |       |       | X     |       |
| 2       | 4140.606    | Capacitor support              |       |       |       | X     |
| 3       | 4140.607    | Switch cover                   | X     | X     | X     |       |
| 4       | 4140.608    | Right cover plate              | X     |       |       |       |
| 4       | 4140.609    | Right cover plate              |       | X     |       |       |
| 4       | 4140.610    | Right cover plate              |       |       | X     |       |
| 4       | 4140.611    | Right cover plate              |       |       |       | X     |
| 5       | 4140.612    | Left cover plate               | X     |       |       |       |
| 5       | 4140.613    | Left cover plate               |       | X     |       |       |
| 5       | 4140.614    | Left cover plate               |       |       | X     |       |
| 5       | 4140.615    | Left cover plate               |       |       |       | X     |
| 6       | 4140.616    | Bottom front panel             | X     |       |       |       |
| 6       | 4140.617    | Bottom front panel             |       | X     | X     |       |
| 6       | 4140.618    | Bottom front panel             |       |       |       | X     |
| 7       | 4140.619    | Grille                         | X     |       |       |       |
| 7       | 4140.620    | Grille                         |       | X     |       |       |
| 7       | 4140.621    | Grille                         |       |       | X     |       |
| 7       | 4140.622    | Grille                         |       |       |       | X     |
| 8       | 4140.623    | Upper panel                    | X     |       |       |       |
| 8       | 4140.624    | Upper panel                    |       | X     |       |       |
| 8       | 4140.625    | Upper panel                    |       |       | X     |       |
| 8       | 4140.626    | Upper panel                    |       |       |       | X     |
| 9       | 4140.627    | Drip tray support              | X     |       |       |       |
| 9       | 4140.628    | Drip tray support              |       | X     | X     |       |
| 10      | 4140.629    | Wheel axle                     | X     |       |       |       |
| 10      | 4140.630    | Wheel axle                     |       | X     | X     |       |
| 10      | 4140.631    | Wheel axle                     |       |       |       | X     |
| 11      | 4140.632    | Foot                           | X     |       |       |       |
| 11      | 4140.633    | Foot                           |       | X     | X     |       |
| 11      | 4140.634    | Foot                           |       |       |       | X     |
| 12      | 4140.635    | Handle                         | X     |       |       |       |
| 12      | 4140.636    | Handle                         |       | X     | X     |       |
| 12      | 4140.637    | Handle                         |       |       |       | X     |
| 13      | 4140.638    | Switch support                 | X     | X     | X     |       |
| 14      | 4140.639    | Rear panel                     |       |       |       | X     |
| 15      | 4140.640    | Motor flange                   | X     |       |       |       |
| 15      | 4140.641    | Motor flange                   |       | X     |       |       |
| 16      | 4140.642    | Motor flange                   |       |       | X     |       |
| 16      | 4140.643    | Motor flange                   |       |       |       | X     |
| 17      | 4140.644    | Hygrostat cover                | X     | X     | X     | X     |
| 18      | 4140.645    | Drip tray                      | X     |       |       |       |
| 18      | 4140.646    | Drip tray                      |       | X     | X     |       |
| 18      | 4140.647    | Drip tray                      |       |       |       | X     |
| 31      | 4140.648    | Wheel R210-20                  | X     |       |       |       |
| 32      | 4140.649    | Wheel R264-20                  |       | X     | X     | X     |
| 33      | 4140.650    | Black plastic tap              |       | X     | X     | X     |
| 34      | 4140.651    | Spring washer R20              | X     |       |       |       |
| 34      | 4140.652    | Spring washer R21              |       | X     | X     | X     |
| 35      | 4140.653    | Washer R21                     | X     | X     | X     | X     |
| 36      | 4140.654    | Foot protection                | X     | X     | X     | X     |
| 37      | 4140.655    | Control box                    | X     | X     | X     | X     |
| 38      | 4140.656    | Probe                          | X     | X     | X     | X     |
| 39      | 4140.657    | Filter 295 x 306               | X     |       |       |       |
| 39      | 4140.658    | Filter 270 x 404               |       | X     |       |       |
| 39      | 4140.659    | Filter 344 x 404               |       |       | X     |       |
| 39      | 4140.660    | Filter 465 x 528               |       |       |       | X     |
| 40      | 4140.661    | Switch                         | X     | X     | X     |       |
| 41      | 4140.662    | Clips and clamps               | X     | X     | X     | X     |
| 42      | 4140.663    | Cable protection R10           | X     | X     | X     | X     |
| 43      | 4140.664    | Screw TE M8x50                 | X     |       |       |       |
| 43      | 4140.665    | Screw TE M6x30                 |       | X     | X     | X     |
| 44      | 4140.666    | Sleeve                         |       | X     | X     | X     |
| 45      | 4140.667    | Washer R6xR24x2                | X     |       |       |       |
| 45      | 4140.668    | Washer R8xR24x2                |       | X     | X     | X     |
| 46      | 4140.669    | Spring washer R8               |       | X     | X     | X     |
| 47      | 4140.670    | Nut M6                         | X     |       |       |       |
| 47      | 4140.671    | Nut M8                         |       | X     | X     | X     |
| 48      | 4140.672    | Cable fastener                 | X     | X     | X     | X     |
| 49      | 4140.673    | Electrical cable 3x1 with plug | X     | X     | X     | X     |
| 50      | 4140.674    | Screw TBE1 M8x40 Zn.B.         | X     | X     | X     | X     |
| 51      | 4140.675    | Screw 8x1                      | X     | X     | X     | X     |

DEHUMIDIFIERS

MODEL DH 25 / 40 / 55 / 80

PARTS LIST

| Key No. | Part number | Description                    | DH 25 | DH 40 | DH 55 | DH 80 |
|---------|-------------|--------------------------------|-------|-------|-------|-------|
| 52      | 4140.676    | Screw TC 8x3/8"                | X     | X     | X     | X     |
| 53      | 4140.677    | Adesive profile 3x20           | X     | X     | X     | X     |
| 53      | 4140.678    | Adesive profile 20x20          | X     | X     | X     | X     |
| 54      | 4140.679    | Clip                           | X     | X     | X     | X     |
| 55      | 4140.680    | Screw TCEI M4x8                | X     | X     |       |       |
| 56      | 4140.681    | Washer R4                      | X     | X     | X     | X     |
| 57      | 4140.682    | Fan motor 82E-4025             |       |       | X     |       |
| 57      | 4140.683    | Fan motor 4Y0A5                |       |       |       | X     |
| 57      | 4140.684    | Fan motor 82-1305              | X     |       |       |       |
| 57      | 4140.685    | Fan motor 82-3016              |       | X     |       |       |
| 58      | 4140.686    | Fan R230 25                    | X     |       |       |       |
| 58      | 4140.687    | Fan R230 28                    |       | X     |       |       |
| 58      | 4140.688    | Fan R300 28                    |       |       | X     |       |
| 58      | 4140.689    | Fan R350 19                    |       |       |       | X     |
| 59      | 4140.690    | Switch 1/0                     | X     | X     | X     | X     |
| 60      | 4140.691    | Switch cover                   | X     | X     | X     | X     |
| 61      | 4140.692    | Red lamp V230-50 R12           | X     | X     | X     | X     |
| 62      | 4140.693    | Hour-counter                   | X     | X     | X     | X     |
| 63      | 4140.694    | Black plastic knob             | X     | X     | X     | X     |
| 64      | 4140.695    | Hygrostat                      | X     | X     | X     | X     |
| 65      | 4140.696    | Cable protection R18           | X     | X     | X     | X     |
| 66      | 4140.697    | Thermostatic valve Danfoss     |       |       |       | X     |
| 67      | 4140.698    | Solenoid valve Parker          | X     |       |       |       |
| 68      | 4140.699    | Solenoid valve Parker (body)   |       |       |       | X     |
| 68      | 4140.700    | Solenoid valve Parker (body)   |       | X     | X     |       |
| 69      | 4140.701    | Solenoid spool Parker          | X     | X     | X     | X     |
| 70      | 4140.702    | Water container                | X     |       |       |       |
| 70      | 4140.703    | Water container                |       | X     | X     |       |
| 71      | 4140.704    | Float lever                    | X     | X     | X     |       |
| 72      | 4140.705    | Plastic pipe R4xR6x60 mm       | X     | X     | X     |       |
| 73      | 4140.706    | Float support                  | X     | X     | X     |       |
| 74      | 4140.707    | Float R60                      | X     | X     | X     |       |
| 75      | 4140.708    | Nut 3/8"x4                     |       |       |       | X     |
| 76      | 4140.709    | Connection 90 3/8"M - R12      |       |       |       | X     |
| 77      | 4140.710    | Rubber tube R8x12              |       |       |       | X     |
| 78      | 4140.711    | Compressor Aspera              | X     |       |       |       |
| 79      | 4140.712    | Capacitor                      | X     |       |       |       |
| 80      | 4140.713    | Thermostat                     | X     |       |       |       |
| 81      | 4140.714    | Relay                          | X     |       |       |       |
| 82      | 4140.715    | Compressor Sanyo               |       | X     |       |       |
| 82      | 4140.716    | Compressor Sanyo               |       |       | X     |       |
| 82      | 4140.717    | Compressor Sanyo               |       |       |       | X     |
| 83      | 4140.718    | Capacitor                      |       | X     | X     | X     |
| 84      | 4140.719    | Capacitor plastic cover R45    |       | X     | X     | X     |
| 85      | 4140.720    | Thermostat                     |       | X     |       |       |
| 85      | 4140.721    | Thermostat                     |       |       | X     |       |
| 85      | 4140.722    | Thermostat                     |       |       |       | X     |
| 86      | 4140.723    | Condenser/Evaporator           | X     |       |       |       |
| 86      | 4140.724    | Condenser/Evaporator           |       | X     |       |       |
| 86      | 4140.725    | Condenser/Evaporator           |       |       | X     |       |
| 86      | 4140.726    | Condenser/Evaporator           |       |       |       | X     |
| 87      | 4140.727    | FR 50 Dryer                    |       |       |       | X     |
| 87      | 4140.728    | RF 20/2 Dryer                  | X     | X     | X     |       |
| 88      | 4140.729    | Capillary tube R1,24mm L=1,25m | X     |       |       |       |
| 88      | 4140.730    | Capillary tube R1,88mm L=1,3m  |       |       | X     |       |
| 88      | 4140.731    | Capillary tube R1,83mm L=1,7m  |       | X     |       |       |
| 89      | 4140.732    | Liquid refrigerator recover    |       |       |       | X     |

www.serviscentrum.cz  
+420 607 607 077  
info@serviscentrum.cz