

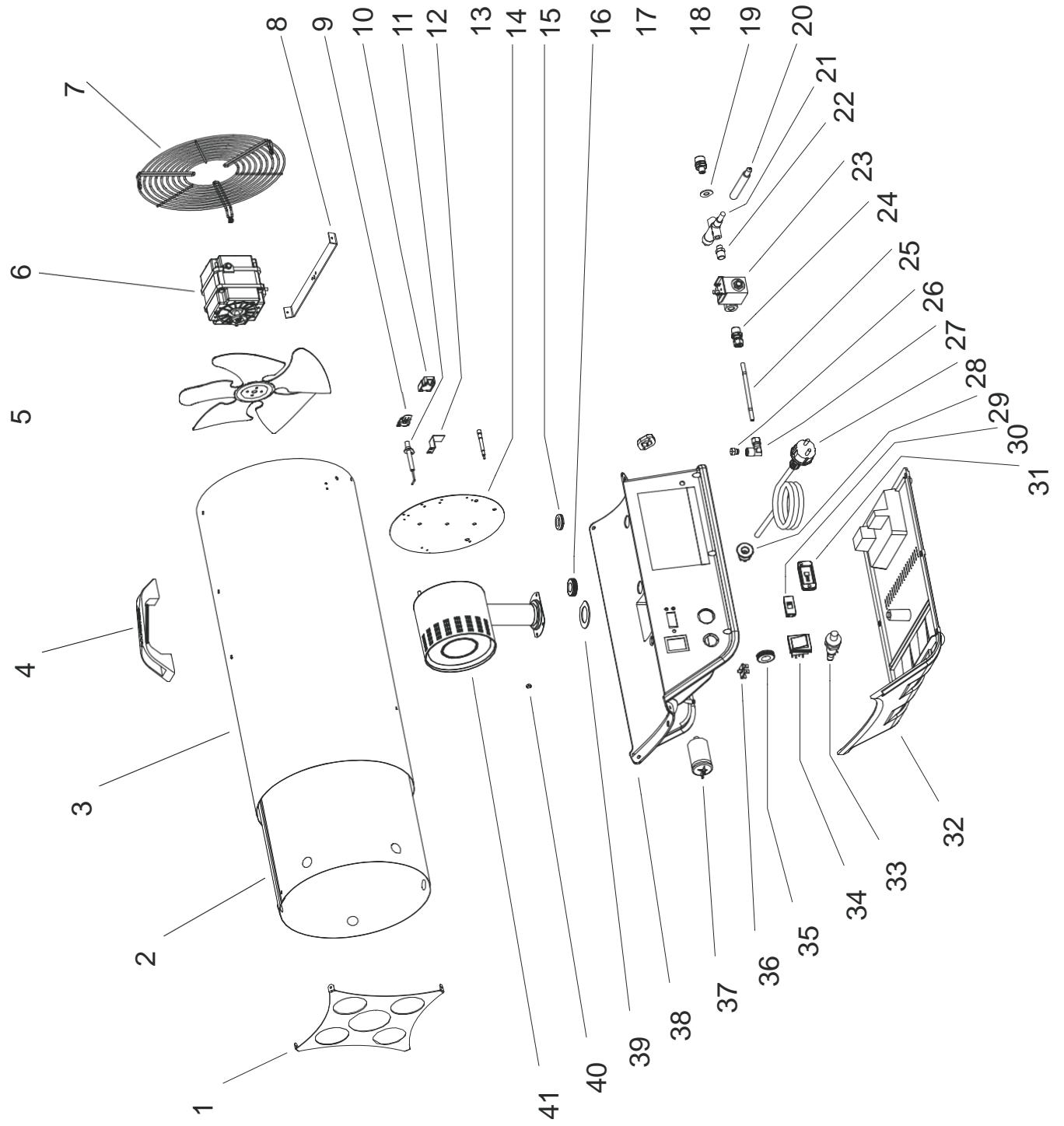
# BLP 53 M DV (DUAL VOLTAGE) MODEL 2013

UNIT 1

ILLUSTRATED PARTS BREAKDOWN

From Serial Number: 03033005142

Edizione 2013  
Rev. A



Pos.	Code NR	Description
1	4100.814	OUTLET GRID
2	4162.731	COMBUSTION CHAMBER
3	4162.728	COVER
4	4162.934	PLASTIC HANDLE
5	4160.691	FAN
6	4161.166	MOTOR
7	4160.739	INLET GRID
8	4162.733	MOTOR BRACKET
9	4162.910	SAFETY THERMOSTAT
10	4162.909	SAFETY THERMOSTAT COVER
11	4160.731	IGNITION ELECTRICAL FOLDER
12	4106.047	THERMOSTAT BRACKET
13	4106.042	INTERRUPTED THERMOCOUPLE
14	4162.869	BURNER PLATE
15	4160.646	GROMMET
16	4160.646	GROMMET
17	4161.854	BLOCK FOR NOZZLE
18	4160.048	GAS INLET NOZZLE
19	4160.283	WASHER
20	4162.479	VALVE ROD
21	4160.688	SAFETY VALVE
22	4160.299	REDUCTION NIPPLES
23	4161.268	ELECTROVALVE
24	4160.962	NIPPLES REDUCER
25	4162.724	COPPER TUBE
26	4160.527	GAS NOZZLE
27	4160.967	ELBOW
28	4160.540	POWER CORD
29	4160.635	KEEPER WIRE
30	4160.117	SWITCH DUAL VOLTAGE
31	4161.284	COVER WITCH DUAL VOLTAGE
32	4162.853	LOWER PLASTIC BASE
33	4162.222	PIEZO IGNITOR
34	4160.637	SWITCH
35	4160.646	GROMMET
36	4160.639	RIVET POP
37	4110.292	CAPACITOR 2,5 $\mu$ F
38	4160.114	UPPER PLASTIC BASE
39	4160.769	NECK PLATE
40	4106.043	THERMOCOUPLE NUT
41	4160.467	GAS BURNER