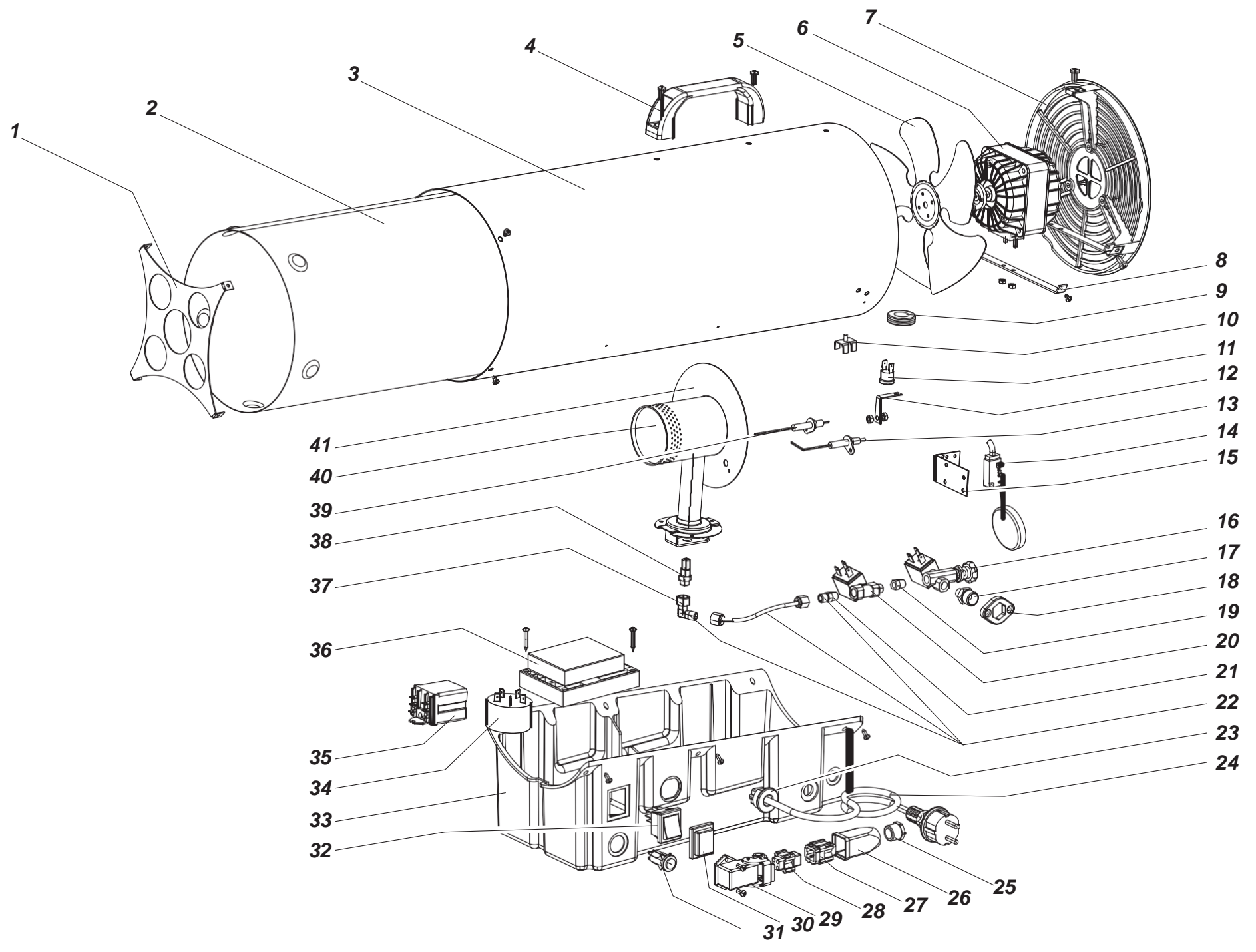


MODEL 30 KW E Plastic Base



MASTER GAS HEATERS BLP 30E PLASTIC BASE 2005 EDITION

Pos.	Code NR	Description
1	4160.764	OUTLET GRID
2	4161.373	COMBUSTION CHAMBER
3	S/R	COVER
4	4160.715	PLASTIC HANDLE
5	4160.690	FAN Ø200 19°
6	4160.629	ELECTRIC MOTOR
7	4160.784	INLET GRID GALVANIZED
	4161.863	INLET GRID PLASTIC
8	4161.010	SUPPORT ELECTRIC MOTOR
9	4160.646	GROMMET 16-30-22
10	4160.639	RIVET POP
11	4162.343	SAFETY THERMOSTAT 90°
12	4162.362	SUPPORT FOR THERMOSTAT
13	4161.248	IGNITION ELECTRICAL FOLDER
14	4162.340	MICRO SWITCH
15	4162.341	SUPPORT FOR SWITCH
16	4160.660	GAS COCK WITH ELECTRO-VALVE
17	4160.700	GAS INLET NOZZLE 3/8 M - 1/8 M
18	4161.854	BLOCK FOR NOZZLE
19	4161.501	NIPPLE 1/8"M.F.
20	4160.655	ELECTROVALVE
21	4160.623	NOZZLE 1/8"
22	4160.724	COPPER EXTENDING VALVE-NOZZLE
23	4160.635	KEEPER WIRE DEVICE PA 107
24	4160.733	ELECTRIC CABLE
25	4160.651	KEEPER WIRE DEVICE
26	4160.648	PLUG IN
27	4161.401	CONNEXION PLUG 4 PIN
28	4161.400	CONNEXION SOCKET 4 PIN
29	4160.647	ANGULAR FIX CASE
30	4160.638	COVER SWITCH
31	4161.058	LIGHT SWITCH
32	4161.057	SWITCH
33	4161.281	PLASTIC BASE
34	4162.187	ANTI-JAMMING FILTER
35	4162.361	RELAY
36	4161.004	ELECTRONIC PC BOARD
37	4160.621	90° DEGREE ELBOW 1/8"
38	4160.722	GAS NOZZLE Ø1,15
39	4160.632	FLAME PROBE
40	4160.687	GAS BURNER
41	4160.752	PLATE BURNER

S/R – Parts available by special request only

N/A – Parts not available

WWW.SERVISCENTRUM.CZ

+420 607 607 077 info@serviscentrum.cz